

CRPZN2 HAZARDOUS LOCATION COMBO

CLASS I, DIVISION 2, GROUPS C, D
 12 V DC, 36-160W



BOTTOM VIEW

- 1- AC ON PILOT LED
- 2- BREATHER VALVE
- 3- TEST SWITCH

The CRPZN2 series of Class I, Division II rated running man combos is designed to perform in demanding hazardous applications. The unit maintains its sealed interior with a continuous integral gasket. As well LED pilot light and test switch are sealed type. The breather, pilot light and test switch have all been mounted into the bottom of the enclosure to allow for quick and simple visual inspection and maintenance testing from below.

FEATURES & SPECIFICATIONS

CIRCUITRY

- LED ultra bright light source
- 120/347 V AC Input, field selectable
- 12 V DC emergency voltage output
- Wattage capacities from 36 to 160 watts
- 30 minutes emergency power duration standard
- Sealed momentary push button test switch
- Diagnostic/pilot LED for AC ON
- Fully automatic, current limited charger
- Solid state design and construction with brownout and short circuit protection
- Temperature compensated
- Large terminal strip connector all electrical connections - AC and DC
- Maintenance free, sealed lead acid battery

MECHANICAL

- Heavy-duty non-metallic, reinforced construction
- One piece, molded and gasketed lens
- Bottom hinged cover secured with two screws
- One-way breather valve for release of gases and/or moisture condensation
- All external metal hardware is stainless steel
- Single face, wall mount only
- Grey finish housing, white faceplate standard

APPROVALS

- CSA Certified to C22.2 #137
- CSA Certified to C22.2 #141-15
- CSA Certified to C860-11
- Class I, Division 2, Groups C, D

COMPLIANCE

- Meets requirements of ICES-005

OVERVIEW			
LIGHT SOURCE	LED	DC POWER [W]	36 - 160
INPUT VOLTAGE [V AC]	120/347	SIGN POWER CONSUMPTION [W]	3.6
OUTPUT VOLTAGE [V DC]	12	SIGN DC CONSUMPTION [W]	1.8
<div style="display: flex; justify-content: space-around; align-items: center;"> <div style="text-align: center;"> LED </div> <div style="text-align: center;"> HAZARDOUS LOCATION </div> <div style="text-align: center;"> ICES 005 </div> <div style="text-align: center;"> CSA® Energy Verified Energie Verifiee </div> </div>			

For complete warranty details, please see our terms and conditions on our website.

Data is based upon tests performed in a controlled environment. Actual performance can vary depending on operating conditions.

All products are subject to change or may be discontinued any time without notice.

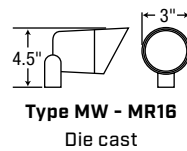
CRPZN2

ORDERING GUIDE

CRPZN2						GRY	/	
SERIES	VOLTS [V]	WATTS [W]	NBR OF FACES	HEAD/LAMP	LAMP	COLOR	OPTIONS	
CRPZN2	1 - 12 V	SEE MODEL RATING BELOW	1 - SINGLE FACE	0 - NO HEADS 1MW - ONE MR16 WEATHER-PROOF 2MW - TWO MR16 WEATHER-PROOF	SEE LAMP SELECTION CHART BELOW	GRY - GREY	RDS - RADIO FREQUENCY SUPPRESSION [SPECIFY AC VOLTAGE] ↓ ↑ ↗ ↘ ↙ ↘ D U URDRDLUL	

LAMP SELECTION

12 VOLTS	
MR16 - SMALL HEAD C/W MR16 LAMP	
LED	4WLR, 5WLA, 6WLA, 7WLA



TEMPERATURE CODES

HEAD/LAMP	TEMPERATURE CODE [25°C]	TEMPERATURE CODE [40°C]
00	T5	T4A
MW4L	T5	T4A
MW5L	T3C	T3B
MW6L	T4	T3C
MW7L	T4	T3C

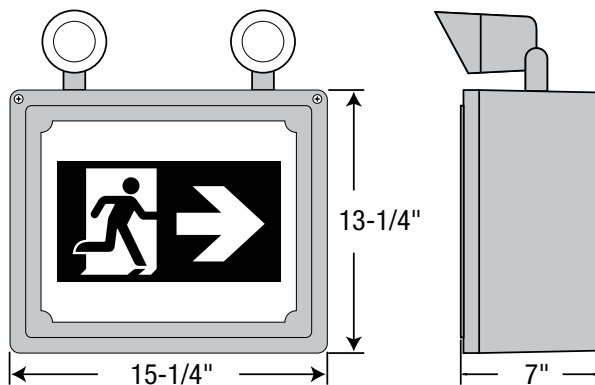
MODEL RATINGS

WATTAGE CAPACITIES					
MODEL	VOLTS [V DC]	30 MIN.	60 MIN.	90 MIN.	120 MIN.
CRPZN2_12036	12	36	18	12	9
CRPZN2_12050	12	50	25	16	12
CRPZN2_12072	12	72	36	24	18
CRPZN2_12100	12	100	50	33	25
CRPZN2_12160	12	160	80	53	40

LUMEN TABLE

WATTS	LUMENS
4W LR	388
5W LA	435
6W LA	507
7W LA	652

DIMENSIONS



Comes standard (single face) with three pictogram legends for direction selection.