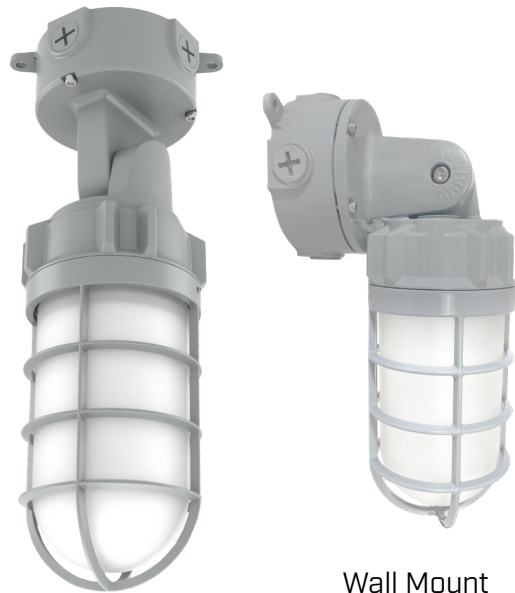


JAM GEN 2

LED JAM JAR

POWER SELECTABLE AND 3 CCT SELECTABLE WITH MULTIPLE MOUNTING OPTIONS

The JAM GEN 2 LED Industrial luminaire provides an indoor / outdoor solution combined with the latest feature in LED technology allowing the user to control the color temperature and power by using the field adjustable integrated switch. This LED jam jar offers 3-in-1 versatile mounting options making it the ideal solution for garages, storage, elevator shafts and industrial areas as well as residential applications.



Wall Mount

FEATURES & SPECIFICATIONS

CONSTRUCTION

- Physical Characteristics**
- This luminaire is made of aluminum die cast and comes in a grey powder coat finish
 - Glass frosted lens
 - Power and CCT switches are placed discretely inside the housing
- Mounting**
- 3 in 1 mounting type (ceiling, wall and threaded conduit¹)

PERFORMANCE DATA

- Available in 3 000/4 000/5 000 K selectable color temperature
- 80+ CRI
- Electrical ratings: 120-347 V
- Estimated life of over 50 000 hours to L70
- 0-10 V dimming standard
- Operating temperature: -40 °C to 40°C (-40°F to 104°F)

COMPLIANCE

- cULus listed for wet locations
- Meets requirements of ICES-005 issue 5 for class B products
- IP65
- IK07
- RoHS
- 3G vibration resistant in compliance with ANSI/IEEE C136.31 standard for luminaire vibration
- DLC Standard

¹Not provided by factory.

OVERVIEW			
LIGHT SOURCE	LED	EFFICIENCY (LM/W)	118-128
WATTS (W)	10/21	COLOR TEMPERATURE (K)	3 000/4 000/5 000
LUMEN OUTPUT (LM)	1 253 - 2 501	CRI	80+

WARRANTY
5 YEAR

CCT* 3CCT SELECTABLE

W* POWER SELECTABLE

QUICKSHIP

LED

DIMMABLE

65 IP RATING

WET LOCATION

IK07 IMPACT RESISTANCE

ICES 005

CERTIFIED

RoHS

DLC LISTED

Data is based upon tests performed in a controlled environment. Actual performance can vary depending on operating conditions. All products are subject to change or may be discontinued any time without notice.

JAM GEN 2

QUICK SHIP ORDERING GUIDE



PART NO	DLC UNIQUE ID	WATTS [W]	VOLTS [VAC]	COLOR TEMP. [K]	LUMEN OUTPUT [LM]	EFFICIENCY [LM/W]	CRI	LIFE L70 [HRS] ⁴	TESTED HOURS LM-80 [HRS] ⁴	CALC. TM21 [HRS] ⁴	LED CURRENT	FINISH	PHOTO-CELL	DIMMING	PF	THD [%]	TRADITIONAL EQUIVALENT [W]		MASTER CASE QTY
																	INCAN	CFL	
CCT and Power Selectable																			
JAM-PS20A-32-3C-6Y	S-FIOLJQ	10/21	120-347	3 000/4 000/5 000	2 562	128	80+	50 000	9 000	160 000	0.18	GREY	NO	YES	>0.90	≤20	150	40	6

¹ Typical color temperature range: +/- 5 %.

² Lumen values are derived from photometric testing. Initial lumens range: +/- 10 %.

³ Lumen values are based on 4 000 K default programming. Please refer to the LUMEN SPECIFICATION TABLE for more details on other color temperatures.

⁴ Life hours are derived from IESNA LM-80-08 testing report and projected per IESNA TM-21-11 extrapolations.

LUMEN CHART TABLE

MODEL NUMBER	WATTS [W]	3 000 K			4 000 K			5 000 K		
		LUMEN OUTPUT [LM]	EFFICACY [LM/W]	LED CURRENT [MA]	LUMEN OUTPUT [LM]	EFFICACY [LM/W]	LED CURRENT [MA]	LUMEN OUTPUT [LM]	EFFICACY [LM/W]	LED CURRENT [MA]
JAM-PS20A-32-3C-6Y	10	1 206	121	0.18	1 253	125	0.18	1 268	64	0.18
	21	2 393	120	0.18	2 500	125	0.18	2 464	123	0.18

DEFAULT PROGRAMMING

21 W/4 000 K

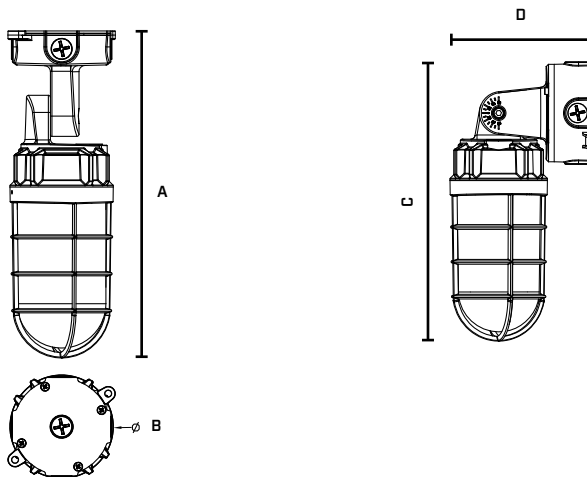
COMPATIBLE DIMMERS

BRAND	MODEL NUMBER
LEGRAND	RH4FBL3PTC
LUTRON	NTSTV-DV, DVSTV
LEVITON	IP 710

Dimming range: 10%-100%

¹ This table shows dimmers that have been tested and have demonstrated proper operation under normal conditions. Each installation being unique, various factors such as load, common neutrals or other electrical products on the circuit can, in certain instances, cause variance in system performance. Read and comply to the dimmer installation instructions. Consult dimming system manufacturer for additional support in operation. Some dimmers may require more than one product for stable operation. AimLite recommends to use dimmers designed to work with LED products. Older dimmers designed for incandescent products may cause erratic operation.

DIMENSIONS AND WEIGHTS



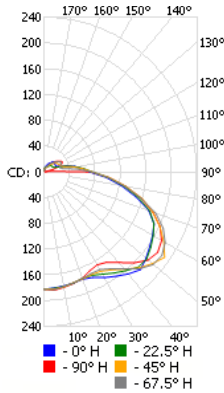
A IN. [CM]	13.15 [33.4]
B IN. [CM]	4.27 [10.85]
C IN. [CM]	11.5 [29.2]
D IN. [CM]	5.83 [14.8]
NET WEIGHT [LBS]	2.2

JAM GEN 2

PHOTOMETRIC DATA¹

JAM-PS20A-32-3C-GY · 10W · 4000K · 1253LM

POLAR CANDELA DISTRIBUTION



ZONAL LUMEN SUMMARY

ZONE	LUMENS	% FIXTURE
0-30	149.0	11.9
0-40	266.3	21.3
0-60	619.8	49.5
60-90	468.6	37.4
70-100	333.1	26.6
90-120	115.3	9.2
0-90	1 088.5	86.9
90-180	164.2	13.1
0-180	1 252.7	100

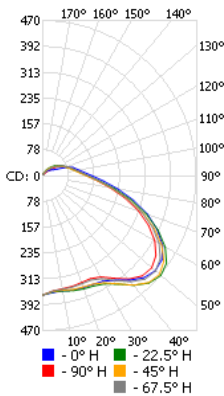
ILLUMINANCE AT A DISTANCE

CENTER BEAM FC		BEAM WIDTH
1.7'	62.7	
3.3'	16.6	42.1' 36.3'
5.0'	7.25	63.8' 55.1'
6.7'	4.04	85.5' 73.8'
8.3'	2.63	105.9' 91.4'
10.0'	1.81	127.6' 110.1'

■ Vert. Spread: 162.5° ■ Hor. Spread: 159.4°

JAM-PS20A-32-3C-GY · 21W · 4000K · 2 500LM

POLAR CANDELA DISTRIBUTION



ZONAL LUMEN SUMMARY

ZONE	LUMENS	% FIXTURE
0-30	300.3	12
0-40	548.1	21.9
0-60	1 286.5	51.4
60-90	845.2	33.8
70-100	602.4	24.1
90-120	285.5	11.4
0-90	2 131.7	85.2
90-180	369.0	14.8
0-180	2 500.7	100

ILLUMINANCE AT A DISTANCE

CENTER BEAM FC		BEAM WIDTH
1.7'	125	
3.3'	33.1	32.4' 20.0'
5.0'	14.4	49.1' 30.3'
6.7'	8.02	65.8' 40.6'
8.3'	5.23	81.5' 50.3'
10.0'	3.60	98.2' 60.6'

■ Vert. Spread: 157.0° ■ Hor. Spread: 143.5°

¹ Complete IES files available on our website.