

# RPES EDGE-LIT UNIVERSAL MOUNTING

The RPES series of commercial edgelit signs provides interiors with a clean, distinguished appearance. Standard universal surface mount with optional recessed backbox assembly. The RPES series is available in AC/DC and internally self-powered versions.



## FEATURES & SPECIFICATIONS

### CIRCUITY - AC/DC

- LED ultra bright light source
- 120-347 V AC Input
- 120 V / 0.03 A / 2.50 W, 277 V / 0.03 A / 2.50 W, 347 V / 0.03 A / 2.50 W max power consumption
- Emergency DC wattages as follows: 6, 12, 24 V DC

### CIRCUITY - SELF-POWERED

- LED ultra bright light source
- 120-347 V AC Input
- 120 V / 0.038 A / 3 W, 277 V / 0.038 A / 3 W, 347 V / 0.038 A / 3 W max power consumption
- High-performance, sealed Ni-Cad battery
- 120 minutes emergency duration
- Solid state transfer and battery charger

### SPECIFICATIONS




- Chassis, backbox and painted finish trims are constructed of steel; other finish trims and backboxes are made from high grade aluminum
- All electronics and faceplate mounted to single chassis for rapid and simple installation
- Separate backbox/housing can be pre-installed at any time prior to faceplate and electronics
- Hanger bars for drywall ceilings or walls included. Maximum extension of 540 mm
- Every unit come standard with multiple running man legends
- Transformer driven. Compatible with generators and inverters
- Temperature: 10 °C to 40 °C

### APPROVALS

- CSA Certified to C22.2 #141-15
- CSA Certified to C860-1

### COMPLIANCE

- Meets requirements of ICES-005

OVERVIEW			
<b>LIGHT SOURCE</b>	LED	<b>POWER CONSUMPTION: SELF-POWERED</b>	MAXIMUM INPUT (BAT 1 SUFFIX): 120 V / 0.038 A / 3 W, 277 V / 0.038 A / 3 W, 347 V / 0.038 A / 3 W
<b>INPUT VOLTAGE (V AC)</b>	120-347	<b>DC VOLTAGE/POWER</b>	6, 12, 24 V DC = 1.1 W
<b>POWER CONSUMPTION: AC/DC</b>	120 V / 0.03 A / 2.50 W, 277 V / 0.03 A / 2.50 W, 347 V / 0.03 A / 2.50 W		
 LED  ICES 005  CSA® Energy Verified Énergie Vérifiée			

## TYPICAL SPECIFICATION



### TYPICAL SPECIFICATION

Supply and install Aimlite RPES Series, The Running Man Edgelit Exit Sign shall operate with AC/DC field selectable 120-347 V AC Input, field selectable Emergency DC voltage as follows 6, 12, 24 1.1 W. The Self powered configuration shall be AC field selectable 120-347 V and consist of a long lasting Nickel-Cadmium battery and shall stay illuminated for a minimum of 120 minutes upon AC failure. The face shall be illuminated by using LED ultra-bright light source. The sign shall be surface mount and suitable for, end, ceiling , or pivoting mechanism for wall mount and come complete with 3 Running Man fibers for universal direction. The frame shall be extruded aluminum and come complete with an acrylic face plate for maximum uniformity. The recessed option shall consist of a rigid steel back box and come complete with field adjustable hanger bars. The Exit Running Man Sign shall be CSA 22.2 No.141-15 certified, ICES 005 compliant and be Aimlite model number RPES\_\_\_\_\_.

## TECHNICAL SPECIFICATION TABLE

PART NUMBER	DC VOLTS (V DC)	NBR OF FACE	LIGHT SOURCE	INPUT VOLTS (V AC)	COLOR
RPESUMWHT-UNVDC	UNVDC	Universal	LED	120-347	White
RPESUMWHT-BAT1	BAT1	Universal	LED	120-347	White
RPESUMBLK-UNVDC	UNVDC	Universal	LED	120-347	Black
RPESUMBLK-BAT1	BAT1	Universal	LED	120-347	Black
RPESUMBSH-UNVDC	UNVDC	Universal	LED	120-347	Brushed Aluminum
RPESUMBSH-BAT1	BAT1	Universal	LED	120-347	Brushed Aluminum

## PENDANT MOUNTING

PART NUMBER	TYPE
PM-EDGLT	Pendant mount

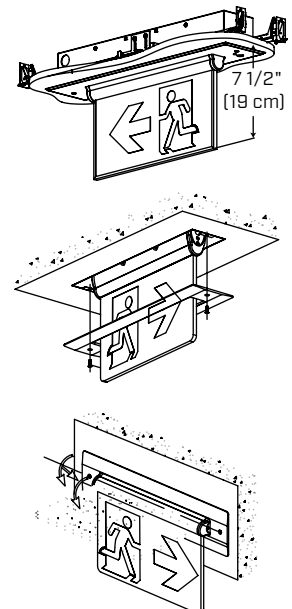
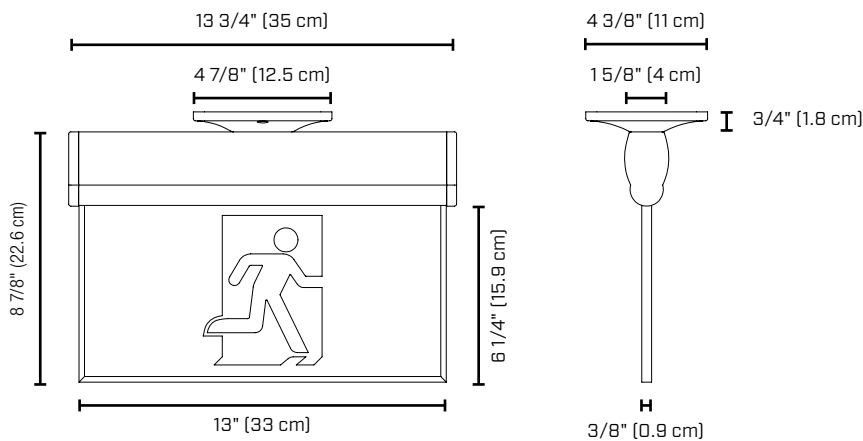
## MOUNTING

**RECESSED MOUNTING CONVERSION KIT**

To convert from surface mount to recessed mount, please order appropriate coloured mounting conversion kit separately.

PART NUMBER	TYPE
BBX-ALES-WH	Recessed backbox with White trim
BBX-ALES-BK	Recessed backbox with Black trim
BBX-ALES-BA	Recessed backbox with Brushed Aluminum trim

## DIMENSIONS



Comes standard with three pictogram legends for direction selection.