

SKYLIGHT REGRESSED MOUNTING KIT FOR BACKLIT PANELS

FOR 2'x2' & 2'x4' LUMINAIRES



FEATURES & SPECIFICATIONS

CONSTRUCTION

Physical Characteristics

- Extruded aluminum frame with mitered corners and a white powder coated finish
- Regresses the backlit panel 2" into the ceiling
- The frame of the backlit panel is completely concealed for a seamless finish
- The Skylight kit ships in pieces and requires field assembly

Mounting

- Easy installs onto the T-Grid
- Backlit panel installs directly on top of the Skylight frame

Design Aesthetic

- Transforms a regular backlit panel into a modern and architectural recessed luminaire
- Enhances commercial applications with a visually appealing skylight effect

QUICK SHIP TABLE



ORDER CODE	TYPE	FINISH	FIGURE	MASTER CASE QTY
1000005	2'x2' SKYLIGHT KIT FOR BACKLIT PANELS	WHITE	A	10
1000006	2'x4' SKYLIGHT KIT FOR BACKLIT PANELS	WHITE	B	10



A



B

COMPATIBLE BACKLIT PANEL SERIES

SERIES NAME
PBLV
PBLP
PSM ¹

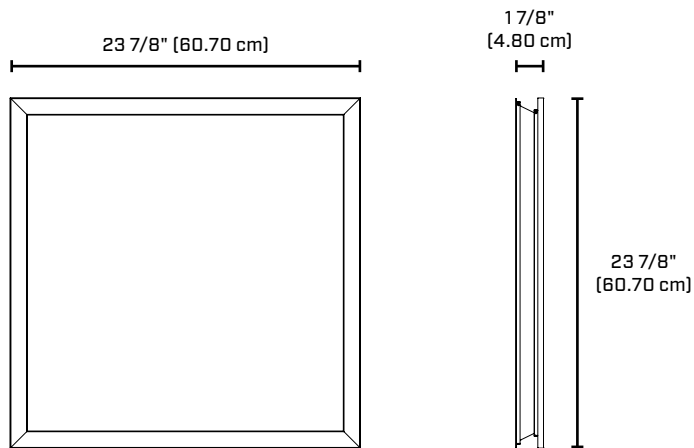
¹ If the PSM luminaire has a motion sensor installed, position the luminaire on the skylight frame so that the sensor is facing opposite the main area or entrance in which motion will occur.

Data is based upon tests performed in a controlled environment. Actual performance can vary depending on operating conditions. All products are subject to change or may be discontinued any time without notice.

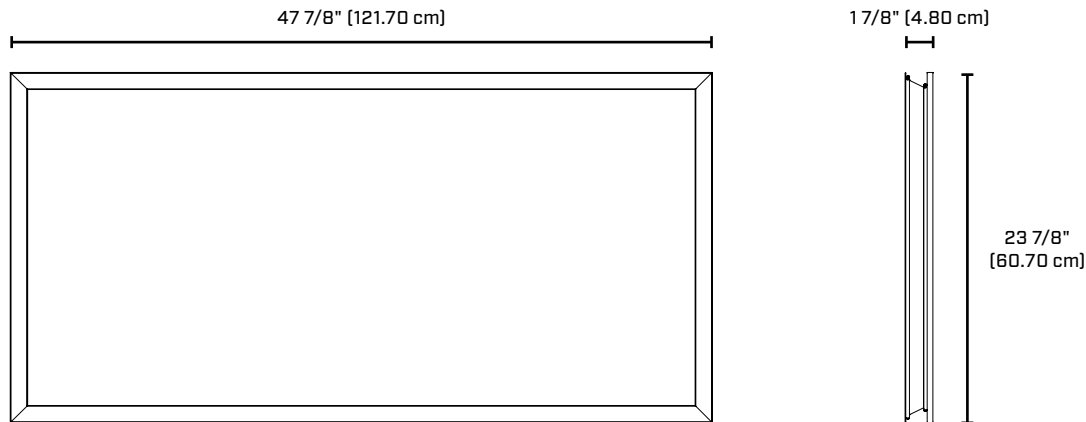
SKYLIGHT

DIMENSIONS AND WEIGHT

2'x2'



2'x4'



NET WEIGHT (LBS)

2'x2'	2.0
2'x4'	3.0