

SKYRA LED AREA LIGHT

3 POWER AND 3 CCT SELECTABLE,
OPTICS SELECTABLE, CONTROL-READY



FEATURES & SPECIFICATIONS

CONSTRUCTION

Physical Characteristics

- Aluminum die cast housing available in Bronze, and Black
- 3 CCT, 3 Power and 3 Distribution types select switches are placed discreetly inside the housing
- Clear Polycarbonate lens
- Distribution types: III, IV and V (IV is set as a standard)
- Standard with 7pin photocell receptacle and a shorting cap, 1 m power cable

Mounting







- Quick and easy installation with the following mounting accessories available:
 - Slipfitter (Ø 2.59")
 - Square/Round pole arm
 - Slipfitter with wall/pole mount adapter

PERFORMANCE DATA

- 3 000/4 000/5 000 K selectable color temperature, default programming at 4 000 K.
- 80+ CRI
- Electrical ratings: 120-347 V
- Lumen output: 5 600-48 000 lm
- 0-10 V dimming standard
- 10 kV surge protection standard, additional 20 kV protection as accessory
- Estimated life of over 102 000 hours to L70, LM80: 17 000 tested hours
- Operating temperature: -40 °C to 50 °C (-40 °F to 122 °F)
- Integrated sensor receptacle makes for easy plug-and-play installation of smart and non-smart sensors. No wiring required. Sensors are sold separately, see accessories table

COMPLIANCES

- cULus listed for Canada and USA for wet locations
- DLC Premium and Dark Sky in progress
- Meets requirements of ICES-005 issue 5, Class A
- 3G vibration resistant in compliance with ANSI/IEEE C136.31 standard for luminaire vibration
- IP65
- BC Hydro

OVERVIEW			
LIGHT SOURCE	LED	EFFICIENCY (LM/W)	139-170
WATTS (W)	35/50/80 100/120/150 200/240/300	COLOR TEMPERATURE (K)	3 000/4 000/5 000
LUMEN OUTPUT (LM)	5 600-48 000	CRI	80+
     			

Data is based upon tests performed in a controlled environment. Actual performance can vary depending on operating conditions. All products are subject to change or may be discontinued any time without notice.

QUICK SHIP AND TECHNICAL SPECIFICATION TABLE



ORDER CODE	PART NUMBER	DLC UNIQUE ID	LUMEN OUTPUT [LM] ^{2,3}	EFFICACY [LM/W]	WATTS [W]	DISTRIBUTION TYPE	FINISH	TRADITIONAL EQUIVALENT [W]		MASTER CASE QTY
								MH	HPS	
CCT & POWER SELECTABLE OPTIC SELECTABLE										
1000019	SKYRA-PS80A-32-3C-BK	PENDING	5 352-12 620	141-167	35/50/80	III/IV/V	BRONZE	150-250	100-175	1
1000020	SKYRA-PS80A-32-3C-BR	PENDING	5 352-12 620	141-167	35/50/80	III/IV/V	BLACK	150-250	100-175	1
1000021	SKYRA-PS150A-32-3C-BK	PENDING	14 550-22 892	139-163	100/120/150	III/IV/V	BRONZE	400-750	250-400	1
1000022	SKYRA-PS150A-32-3C-BR	PENDING	14 550-22 892	139-163	100/120/150	III/IV/V	BLACK	400-750	250-400	1
1000023	SKYRA-PS300A-32-3C-BK	PENDING	30 370-48 564	140-170	200/240/300	III/IV/V	BRONZE	750-1 000	400-1 000	1
1000024	SKYRA-PS300A-32-3C-BR	PENDING	30 370-48 564	140-170	200/240/300	III/IV/V	BLACK	750-1 000	400-1 000	1

¹ Typical color temperature range: +/- 5 %.

² Lumen values are derived from photometric testing. Initial lumens range: +/- 10 %.

³ Lumen values are based on 4 000 K default programming. Please refer to the LUMEN SPECIFICATION TABLE for more details on other color temperatures.

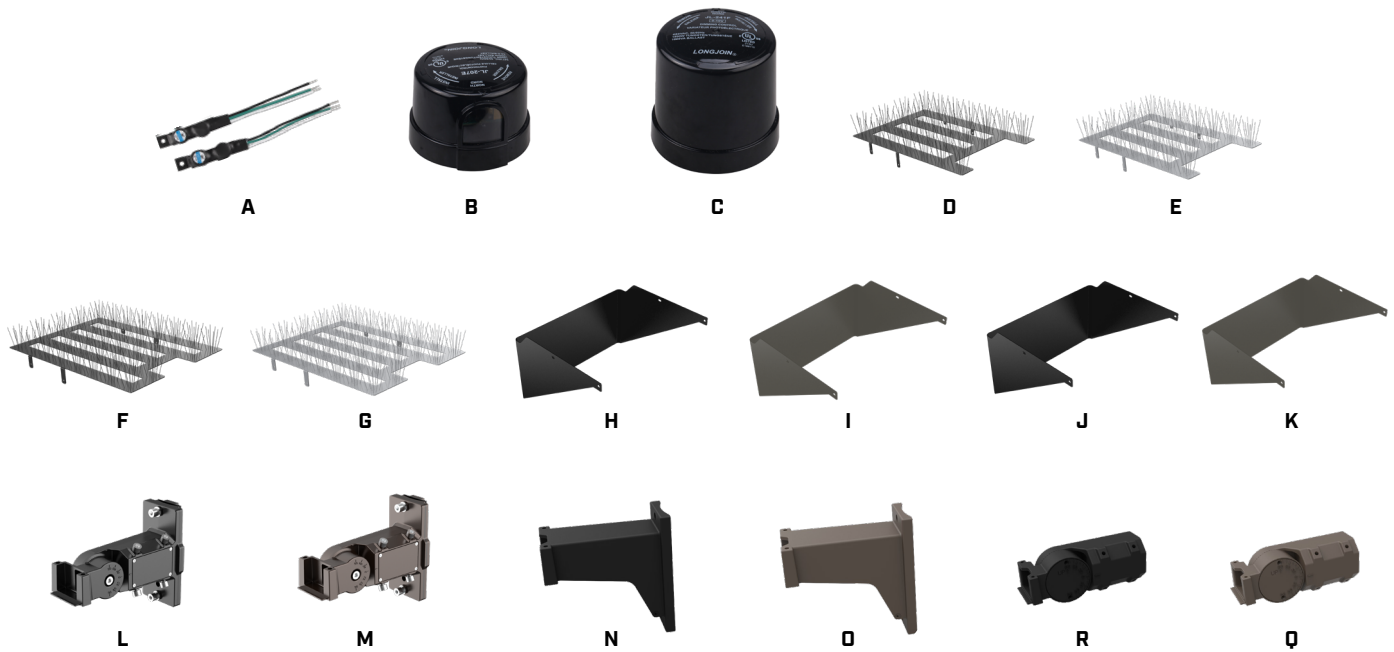
⁴ Life hours are derived from IESNA LM-80 testing report and projected per IESNA TM-21 extrapolations.

LUMEN SPECIFICATION TABLE

ORDER CODE	PART NUMBER	TYPE OF DISTRIBUTION	WATTS [W]	LED CURRENT [MA]	3 000 K		4 000 K		5 000 K		DEFAULT PROGRAMMING
					LUMEN OUTPUT [LM]	EFFICACY [LM/W]	LUMEN OUTPUT [LM]	EFFICACY [LM/W]	LUMEN OUTPUT [LM]	EFFICACY [LM/W]	
1000019 1000020	SKYRA-PS80A-32-3C-BK SKYRA-PS80A-32-3C-BR	III	35	150	5 363	160	5 494	165	5 579	166	80 W / 4 000 K / Type IV
		IV	50	220	7 562	157	7 795	164	7 900	163	80 W / 4 000 K / Type IV
		V	80	354	12 234	148	12 290	157	12 278	154	80 W / 4 000 K / Type IV
		III	35	150	5 352	162	5 476	166	5 596	168	80 W / 4 000 K / Type IV
		IV	50	220	7 584	161	7 817	166	7 976	167	80 W / 4 000 K / Type IV
		V	80	354	12 345	154	12 444	164	12 620	163	80 W / 4 000 K / Type IV
		III	35	150	5 505	156	5 643	162	5 716	162	80 W / 4 000 K / Type IV
		IV	50	220	7 598	153	7 771	160	7 848	158	80 W / 4 000 K / Type IV
		V	80	354	11 550	141	11 825	149	12 069	146	80 W / 4 000 K / Type IV
1000021 1000022	SKYRA-PS150A-32-3C-BK SKYRA-PS150A-32-3C-BR	III	100	443	15 337	149	16 021	159	16 011	155	150 W / 4 000 K / Type IV
		IV	120	526	17 370	145	18 183	156	18 147	151	150 W / 4 000 K / Type IV
		V	150	651	22 177	146	22 373	150	22 089	143	150 W / 4 000 K / Type IV
		III	100	443	15 305	154	15 939	163	16 105	161	150 W / 4 000 K / Type IV
		IV	120	526	17 740	152	18 303	161	18 414	159	150 W / 4 000 K / Type IV
		V	150	651	22 482	155	22 774	158	22 892	155	150 W / 4 000 K / Type IV
		III	100	443	14 550	142	15 187	152	15 176	148	150 W / 4 000 K / Type IV
		IV	120	526	16 447	139	17 244	149	17 188	144	150 W / 4 000 K / Type IV
		V	150	651	21 274	141	22 156	153	22 133	147	150 W / 4 000 K / Type IV
1000023 1000024	SKYRA-PS300A-32-3C-BK SKYRA-PS300A-32-3C-BR	III	200	853	31 024	156	32 337	166	32 270	161	300 W / 4 000 K / Type IV
		IV	240	995	36 643	150	38 369	161	38 061	155	300 W / 4 000 K / Type IV
		V	300	1 252	45 316	145	46 810	154	46 081	146	300 W / 4 000 K / Type IV
		III	200	853	31 591	163	32 782	172	33 050	170	300 W / 4 000 K / Type IV
		IV	240	995	37 876	161	39 166	170	39 393	167	300 W / 4 000 K / Type IV
		V	300	1 252	46 524	156	48 564	166	48 520	161	300 W / 4 000 K / Type IV
		III	200	853	30 370	153	31 568	162	31 490	157	300 W / 4 000 K / Type IV
		IV	240	995	35 826	147	37 541	158	37 307	152	300 W / 4 000 K / Type IV
		V	300	1 252	43 524	140	45 915	153	45 421	145	300 W / 4 000 K / Type IV

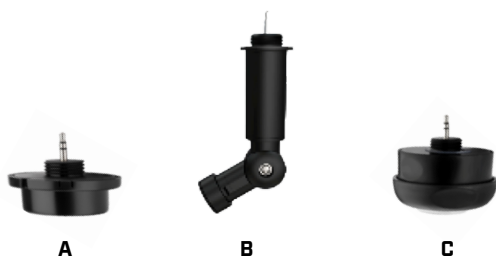
ACCESSORIES (ORDER SEPARATELY)

PART NUMBER	DESCRIPTION	FIGURE
1000029	SUR20KV120347-SC-INSIDE	A
PH0033	3-PIN TWIST LOCK PHOTOCELL	B
PH0034	7-PIN TWIST LOCK PHOTOCELL	C
1000055	BLACK BIRD SPIKE 80-150W	D
1000057	BROWN BIRD SPIKE 80-150W	E
1000056	BLACK BIRD SPIKE 300W	F
1000058	BRONZE BIRD SPIKE 300W	G
1000025	GSD17-S-BK	H
1000026	GSD17-S-BR	I
1000027	GSD17-M-BK	J
1000028	GSD17-M-BR	K
KITCAS1013-SWADSBK	KITCAS1013-SWADSBK	L
KITCAS1013-SWADSBR	KITCAS1013-SWADSBR	M
CAS1013-RNDSQPBK	CAS1013-RNDSQPBK	N
CAS1013-RNDSQPBR	CAS1013-RNDSQPBR	O
CAS1013-SFITTERSBK	CAS1013-SFITTERSBK	P
CAS1013-SFITTERSBR	CAS1013-SFITTERSBR	Q



SMART ACCESSORIES* (ORDER SEPARATELY)

PART NUMBER	DESCRIPTION	FIGURE
CTRL-KBC1-002-WAVE ¹	WAVE BLUETOOTH [®] MESH EXTERNAL LOW VOLTAGE FIXTURE CONTROLLER BLACK	A
CTRL-KB0-003-WAVE	OUTDOOR ARM EXTENSION BLACK	B
OSI-PIR106-W-WAVE	WAVE BLUETOOTH [®] MESH OUTDOOR PIR AUDIO JACK SENSOR BLACK	C

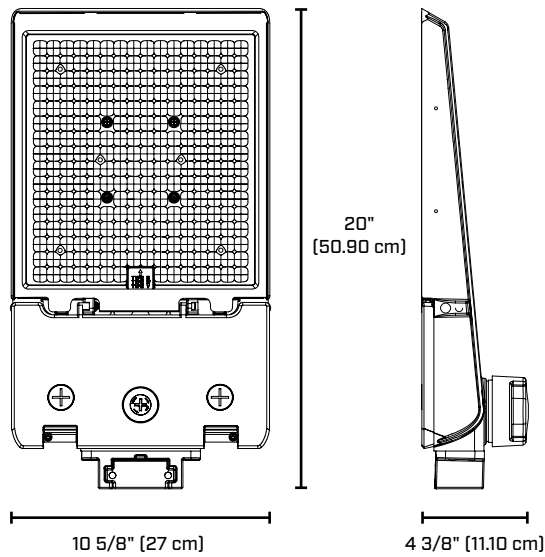


EPA

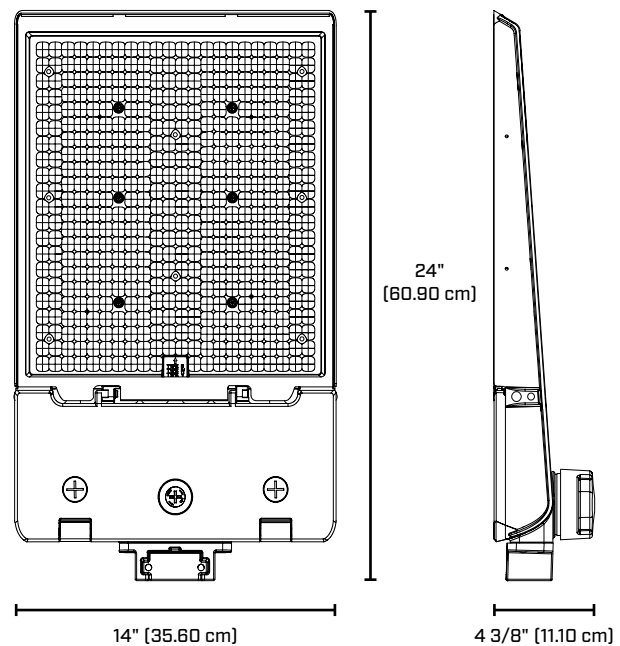
LUMEN PACKAGE	FITTURE POSITION						
		SINGLE FITTURE	2 FITTURES AT 90°	2 FITTURES AT 180°	3 FITTURES AT 90°	3 FITTURES AT 120°	4 FITTURES AT 90°
SKYRA-PS80A SKYRA-PS150A	WITH SLIPFITTER HORIZONTAL	1.130	1.470	2.260	2.390	2.390	2.390
	WITH SLIPFITTER 45 DEGREES TILT	1.210	2.340	2.260	3.470	3.470	3.470
	WITH SLIPFITTER VERTICAL	1.600	2.730	2.260	3.860	3.860	3.860
	WITH SLIPFITTER WALL/POLE ADAPT HORIZONTAL	1.500	2.230	3.000	2.950	2.950	2.950
	WITH SLIPFITTER WALL/POLE ADAPT 45 DEGREES TILT	1.840	3.340	3.000	4.840	4.840	4.840
	WITH SLIPFITTER WALL/POLE ADAPT VERTICAL	2.050	3.550	3.000	5.050	5.050	5.050
	WITH STRAIGHT ARM HORIZONTAL	1.500	2.230	3.000	2.950	2.950	2.950
	WITH STRAIGHT ARM 45 DEGREES TILT	1.840	3.340	3.000	4.840	4.840	4.840
SKYRA_PS300A	WITH SLIPFITTER HORIZONTAL	1.300	2.010	2.600	3.310	3.310	3.310
	WITH SLIPFITTER 45 DEGREES TILT	2.300	3.600	2.600	4.900	4.900	4.900
	WITH SLIPFITTER VERTICAL	2.800	4.100	2.800	5.400	5.400	5.400
	WITH UNIVERSAL MOUNT HORIZONTAL	1.780	2.660	3.560	3.540	3.540	3.540
	WITH UNIVERSAL MOUNT 45 DEGREES TILT	2.600	4.380	3.560	6.160	6.160	6.160
	WITH UNIVERSAL MOUNT VERTICAL	3.090	4.870	3.560	6.650	6.650	6.650
	WITH STRAIGHT ARM HORIZONTAL	1.780	2.660	3.560	3.540	3.540	3.540
	WITH STRAIGHT ARM 45 DEGREES TILT	2.600	4.380	3.560	6.160	6.160	6.160
WITH STRAIGHT ARM VERTICAL	3.090	4.870	3.560	6.650	6.650	6.650	

DIMENSIONS AND WEIGHTS

80-150 W



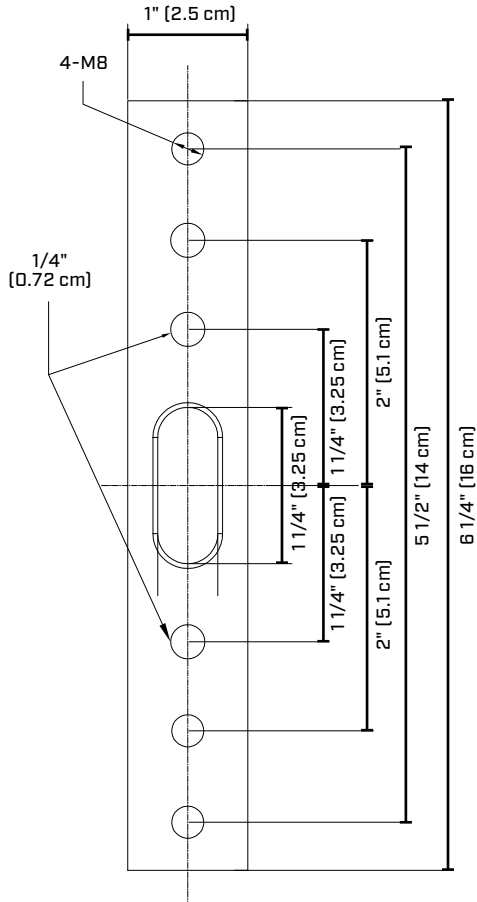
300 W



	80-150 W	300 W
Net weight (lbs)	10.36	14.88

DRILLING PATTERNS

Straight arm for square/round pole



Slipfitter and wall/pole mount adapter

